

REVISIONS			
REV.	DESCRIPTION	ECN NO.	DATE
01	FIRST RELEASE	N/A	05/06/14

When ordering, please add suffix "T" to the part number for tape & reel packaging (330mm reel).

**PAGE 4-6 ARE FOR INTERNAL ONLY**

TITLE

TRANSFORMER, 10GBASE-T(PoE),  
SINGLE, SOIC, 24 PIN

PART NUMBER	PART DESCRIPTION
824-00486F	RoHS compliant per EU Directive 2011/65/EU

**WARNING !**  
ALL SHEETS OF THIS DOCUMENT ARE CONTROLLED DOCUMENTATION AND ARE NOT TO BE RELEASED OUTSIDE OF E&E OR ITS SUB-CONTRACTORS WITHOUT AUTHORIZATION.

UNLESS OTHERWISE SPECIFIED, DIMENSIONS ARE IN INCH/mm.

TOLERANCE ARE:

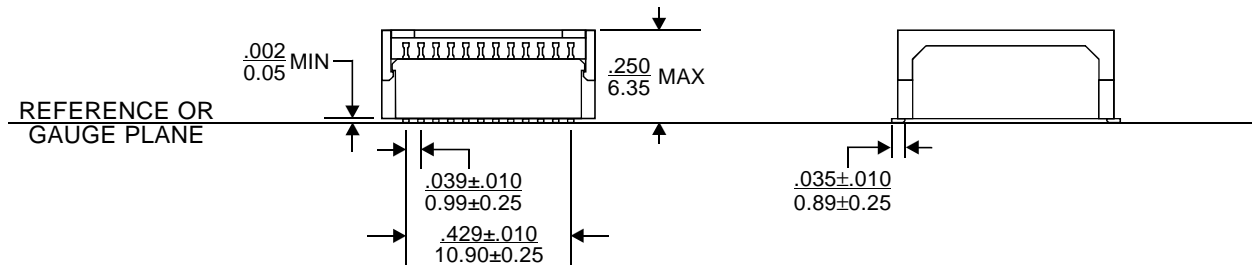
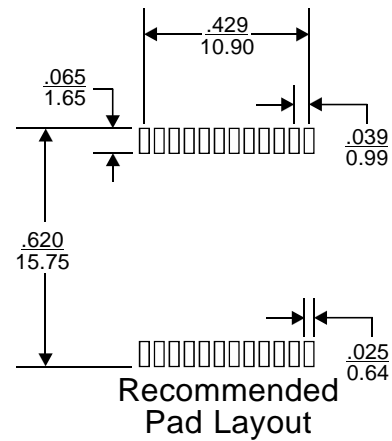
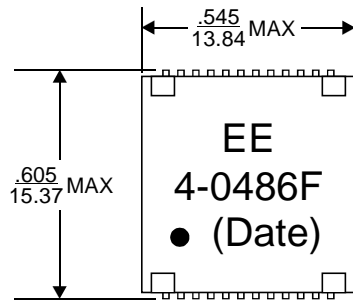
INCH	mm	ANGLE
.XXX ± .005	.XX ± .13	X.X ± 0.3
.XX ± .02	.X ± .5	X. ± 1

APPROVALS	DATE
DRAWN BY Y.L. YUNG	05/06/14
PROJ. ENG Y.L. YUNG	05/06/14
APPROVED BY D. YUNG	05/06/14
Q.A. D. LUO	05/06/14

 E & E Magnetic Products Ltd.

DRAWING NO./MODEL <b>824-00486F</b>	REV <b>01</b>
--	------------------

SCALE <b>DO NOT SCALE</b>	PAGE <b>1</b>	OF <b>6</b>
------------------------------	------------------	----------------



1. Dimensions are specified in  $\frac{\text{inches}}{\text{mm}}$  with higher precedence in inches.
2. Unless otherwise specified, all tolerances are  $\pm \frac{.010}{0.25}$ .
3. Coplanarity:  $\frac{.004}{0.10}$  max.
4. "(DATE)" includes at least the manufacturing date code (in YYWW format) plus two character country code.

## MECHANICAL OUTLINE



E & E Magnetic Products Ltd.

DRAWING NO./MODEL

824-00486F

REV

01

SCALE

DO NOT SCALE

PAGE

OF

2

6

6

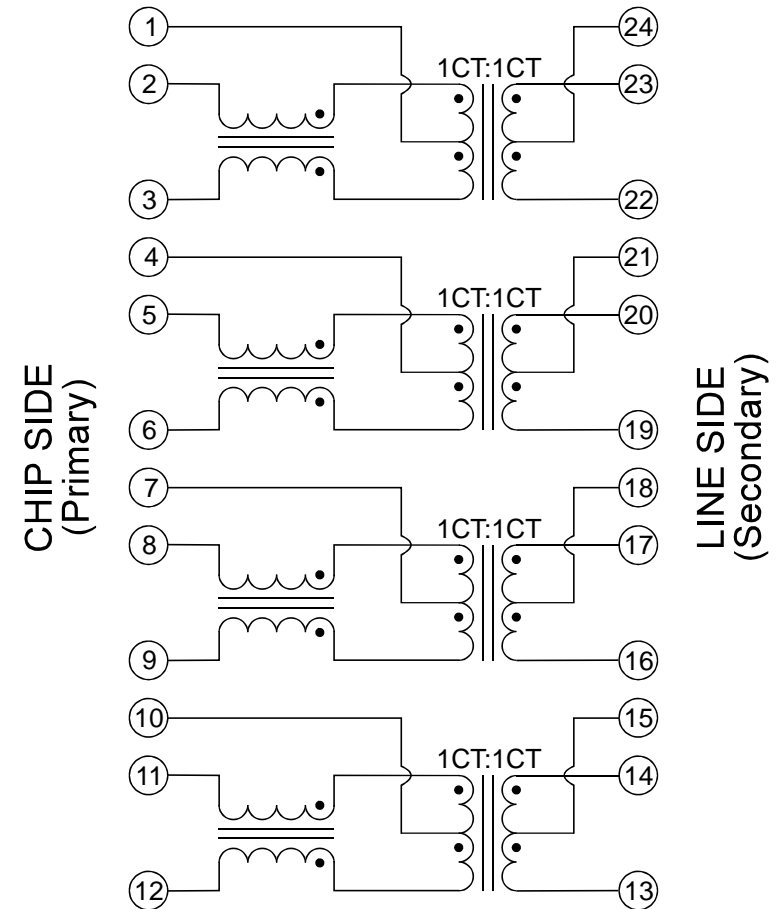
### ELECTRICAL SPECIFICATION @25°C:

PARAMETERS	UNIT	EACH CHANNEL
Turns Ratio (Primary):(Secondary)	-	1CT:1CT ± 2%
Polarity (Primary):(Secondary)	-	Per Schematic
Inductance, Ls(Primary) @100kHz, 0.1Vrms, 8mADC	uH	60 Min
Insertion Loss @1-500MHz	dB	2.0 Max
Return Loss @1-40MHz	dB	18 Min
5. Return Loss @40-500MHz	dB	17-10Log(F/40) Min
CM-DMRR @1-250MHz	dB	30 Typ
CM-DMRR @250-500MHz	dB	22 Typ
Crosstalk @1-100MHz	dB	40 Typ
Crosstalk @100-500MHz	dB	30 Typ
HIPOT (Primary):(Secondary)	Vrms	1500 Min

5. "F" represents the test frequency specified in MHz.

6. Operating Temperature: 0°C to +70°C.

7. Balanced DC line current capability (Line side): 350mADC maximum.



**SCHEMATIC**



**E & E Magnetic Products Ltd.**

DRAWING NO./MODEL

**824-00486F**

REV

**01**

SCALE

**DO NOT SCALE**

PAGE

**3**

OF

**6**