

REVISIONS			
REV.	DESCRIPTION	ECN NO.	DATE
01	FIRST RELEASE	N/A	05/15/14
02	UPDATE DRAWING	EE15860	06/19/14

TITLE
**MODULAR JACK, RJ45, TAB DWON,
 1X2, THRU-HOLE,100BASE-T.**


WARNING !
 ALL SHEETS OF THIS DOCUMENT ARE CONTROLLED DOCUMENTATION AND ARE NOT TO BE RELEASED OUTSIDE OF E&E OR ITS SUB-CONTRACTORS WITHOUT AUTHORIZATION.

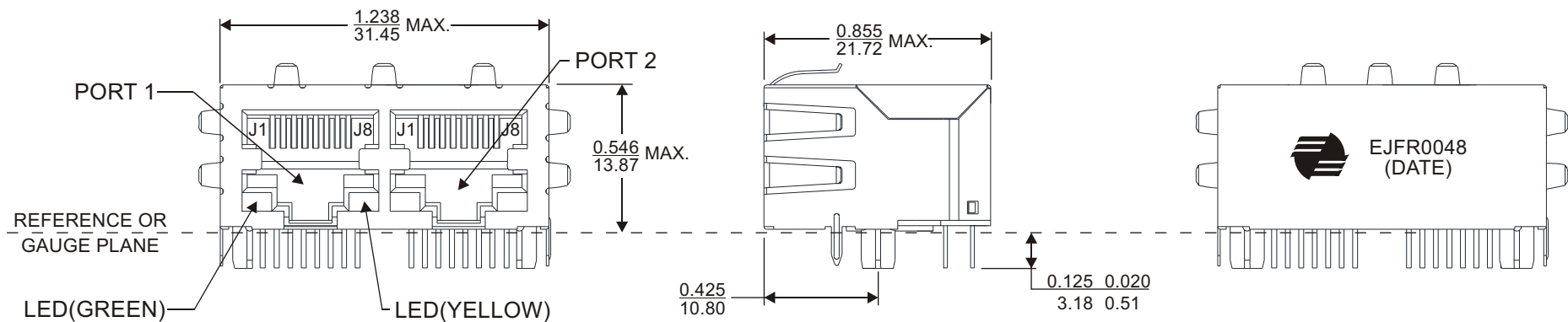
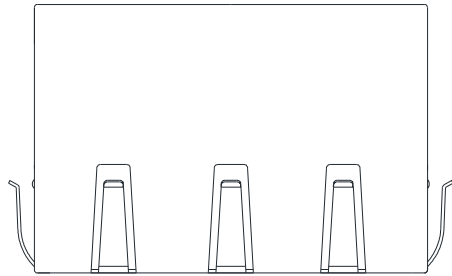
UNLESS OTHERWISE SPECIFIED, DIMENSIONS ARE IN INCH/mm.

TOLERANCE ARE:

<u>INCH</u>	<u>mm</u>	<u>ANGLE</u>
.XXX .005 .XX .13 X.X 0.3		
.XX .02 .X .5 X. 1		

APPROVALS	DATE
DRAWN BY F.X.LIANG	06/19/14
PROJ. ENG J.J. LI	06/19/14
APPROVED BY J.J. LI	06/19/14
Q.A. D. LUO	06/19/14

 E & E Magnetic Products Ltd.	
DRAWING NO./MODEL EJFR0048	REV 02
SCALE DO NOT SCALE	PAGE 1 OF 4 1 4



NOTES:

1. DIMENSIONS ARE SPECIFIED IN $\frac{\text{INCHES}}{\text{mm}}$ WITH HIGHER PRECEDENCE IN INCHES.
2. UNLESS OTHERWISE SPECIFIED, ALL TOLERANCE ARE $\frac{.010}{0.25}$.
3. "(DATE)" INCLUDES AT LEAST THE MANUFACTURING DATE CODE(IN YYWW FORMAT) PLUS TWO CHARACTER COUNTRY CODE.
4. 6 MICRO-INCH (0.15 μm) MIN. THICK GOLD PLATING OVER CONTACT AREA.
5. RoHS COMPLIANT PER EU DIRECTIVE 2011/65/EU .

MECHANICAL OUTLINE

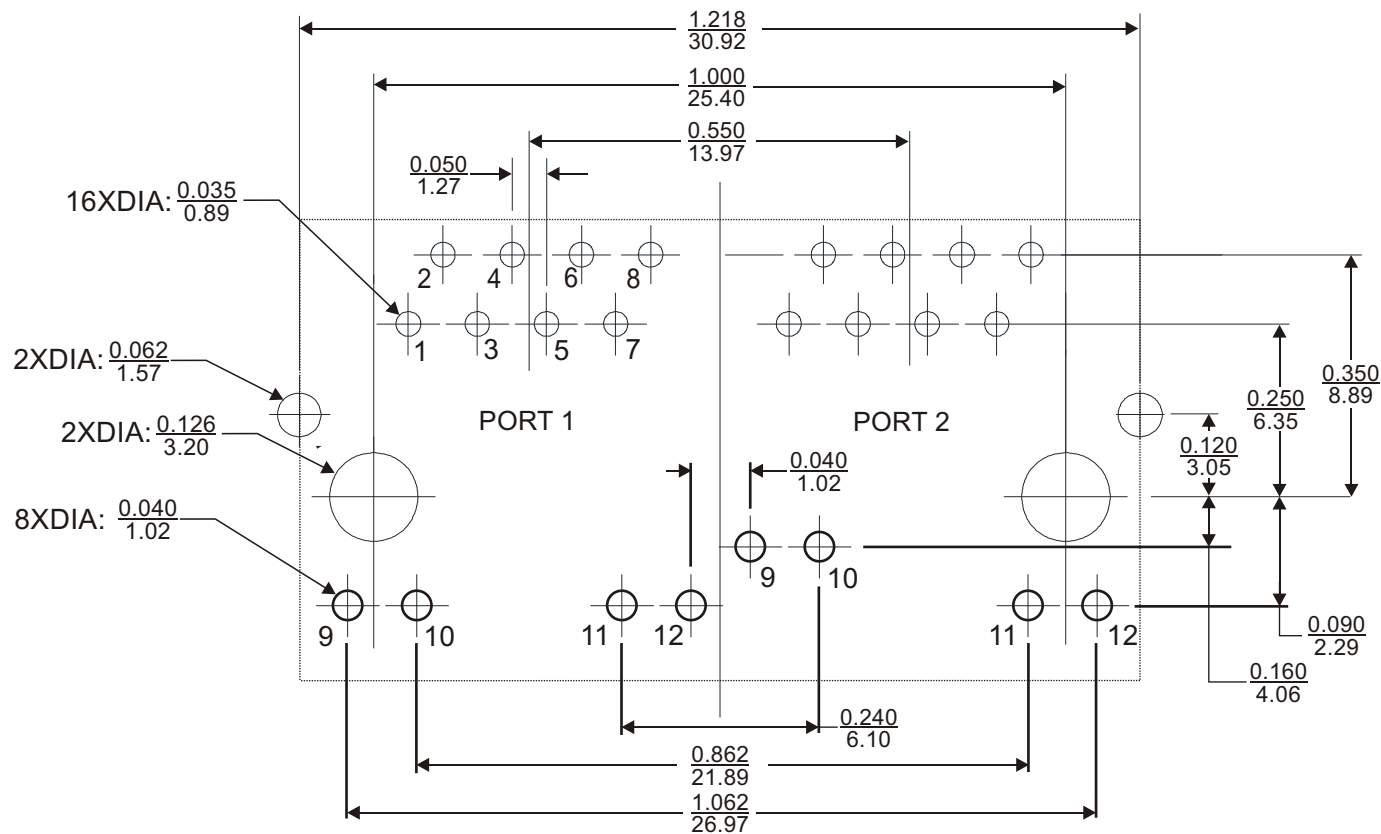


E & E Magnetic Products Ltd.

DRAWING NO./MODEL		REV	
EJFR0048		02	
SCALE	PAGE	OF	
DO NOT SCALE	2	4	

↑
Chip side

↓
Cable side



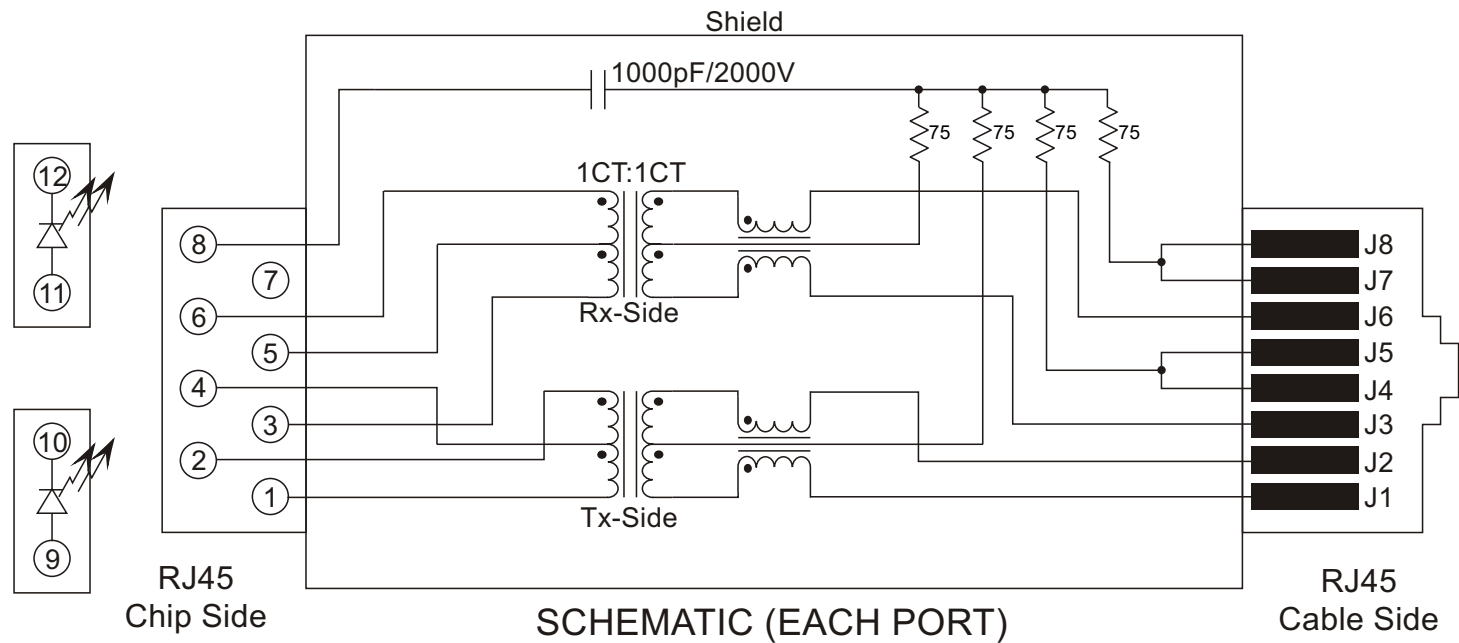
Recommended hole pattern
Viewed from component side

MECHANICAL OUTLINE



E & E Magnetic Products Ltd.

DRAWING NO./MODEL		REV	
EJFR0048		02	
SCALE	PAGE	OF	
DO NOT SCALE	3	4	4



ELECTRICAL SPECIFICATION @25°C:

PARAMETERS	UNIT	EACH CHANNEL
Turns Ratio (Primary):(Secondary)	-	1CT:1CT ± 3%
Polarity (Primary):(Secondary)	-	Per Schematic
Inductance, Ls(Primary) @100kHz, 0.1Vrms, 8mADC	uH	350 Min
Insertion Loss @1-65MHz	dB	1.0 Max
Return Loss @1-30MHz	dB	16.0 Min
Return Loss @30-60MHz	dB	12.0 Min
Return Loss @80MHz	dB	10.0 Min
CMRR @0.1-100MHz	dB	30.0 Typ
Crosstalk @0.1-100MHz (TX<=>RX)	dB	30.0 Min
HIPOT (Primary):(Secondary)	rms	1500 Min

6. OPERATING TEMPERATURE : 0°C TO +70°C.



E & E Magnetic Products Ltd.

DRAWING NO./MODEL

EJFR0048

REV

02

SCALE

DO NOT SCALE

PAGE

4

OF

4