

REVISIONS			
REV.	DESCRIPTION	ECN NO.	DATE
01	FIRST RELEASE	N/A	08/04/14

TITLE
 MODULAR JACK, RJ45,SINGLE PORT,
 TAB UP, SMD, 100BASE-T.


WARNING !
 ALL SHEETS OF THIS DOCUMENT ARE
 CONTROLLED DOCUMENTATION AND
 ARE NOT TO BE RELEASED OUTSIDE
 OF E&E OR ITS SUB-CONTRACTORS
 WITHOUT AUTHORIZATION.

UNLESS OTHERWISE
 SPECIFIED, DIMENSIONS
 ARE IN INCH/mm.

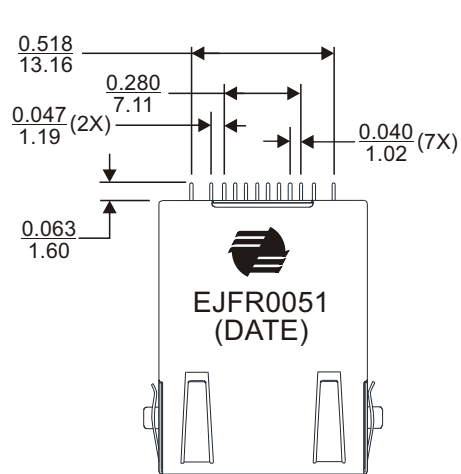
TOLERANCE ARE:

<u>INCH</u>	<u>mm</u>	<u>ANGLE</u>
.XXX ± .005	.XX ± .13	X.X ± 0.3
.XX ± .02	.X ± .5	X. ± 1

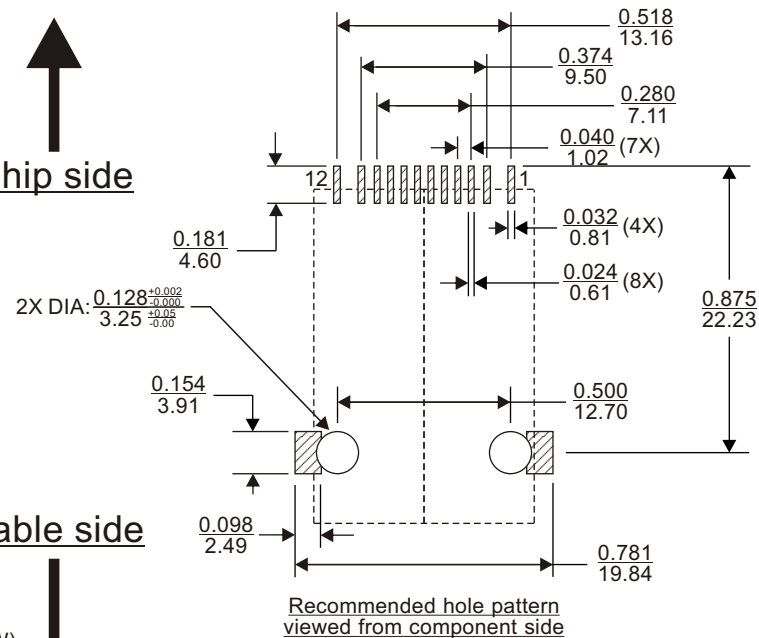
APPROVALS	DATE
DRAWN BY S.T. HUANG	08/04/14
PROJ. ENG J.J. LI	08/04/14
APPROVED BY J.J. LI	08/04/14
Q.A. D. LUO	08/04/14

 E & E Magnetic Products Ltd.	
DRAWING NO./MODEL	
EJFR0051	
SCALE	PAGE OF
DO NOT SCALE	1 OF 5

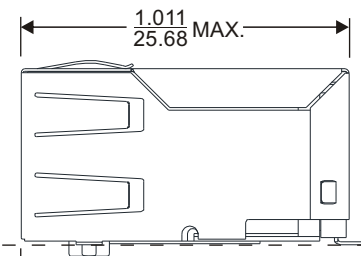
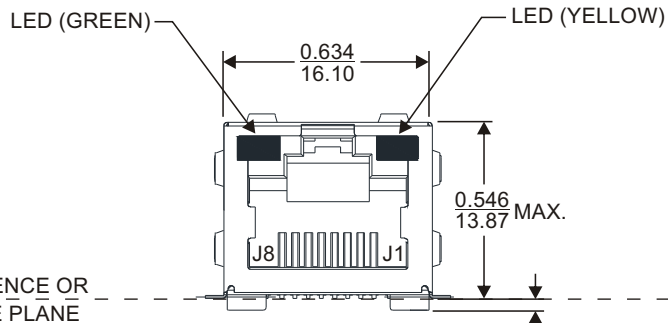
REV
01



↑
Chip side



↓
Cable side



0.004 [0.10] 12 SURFACES

--- REFERENCE OR GAUGE PLANE ---

0.039
0.99

0.208
5.28

NOTES:

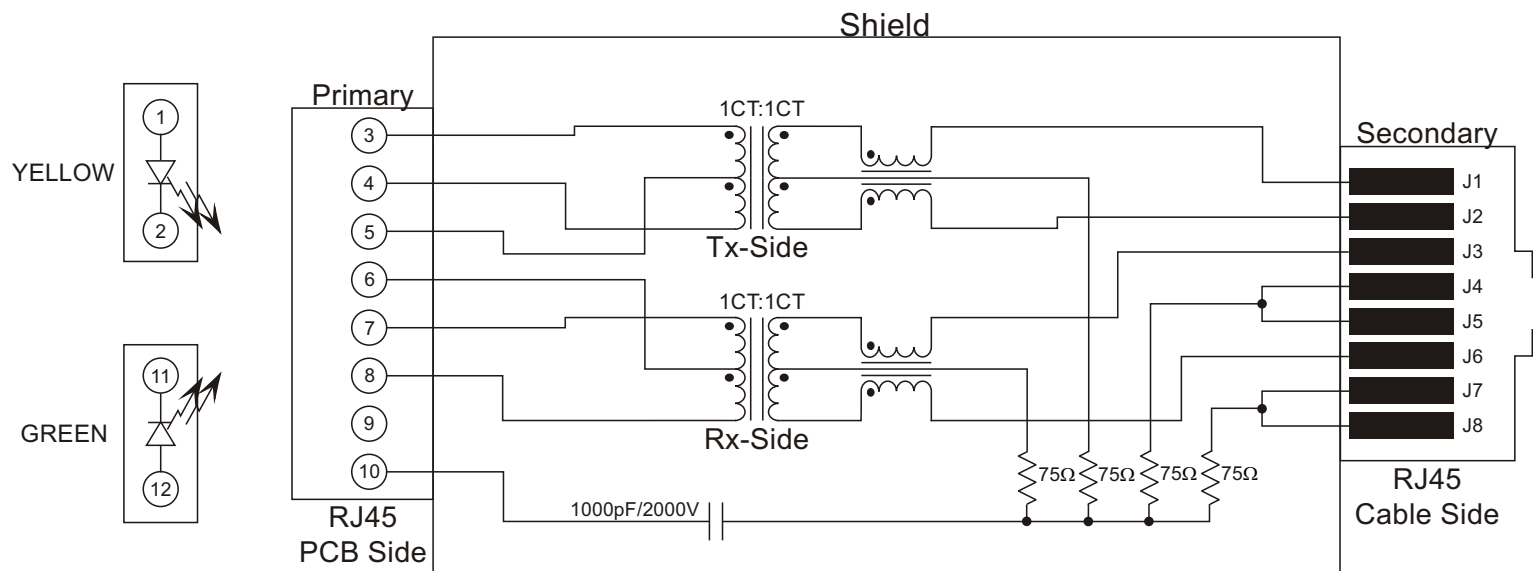
1. DIMENSIONS ARE SPECIFIED IN $\frac{\text{INCHES}}{\text{mm}}$ WITH HIGHER PRECEDENCE IN INCHES.
2. UNLESS OTHERWISE SPECIFIED, ALL TOLERANCE ARE $\pm \frac{.010}{0.25}$.
3. "(DATE)" INCLUDES AT LEAST THE MANUFACTURING DATE CODE (IN YYWW FORMAT) .
4. 6 MICRON (0.15 μm) MIN. THICK GOLD PLATING OVER CONTACT AREA.
5. RoHS COMPLIANT PER EU DIRECTIVE 2011/65/EU .

MECHANICAL OUTLINE



E & E Magnetic Products Ltd.

DRAWING NO./MODEL		REV
EJFR0051		01
SCALE	PAGE	OF
DO NOT SCALE	2	5



SCHEMATIC

ELECTRICAL SPECIFICATION @25°C:

PARAMETERS	UNIT	EACH CHANNEL
Turns Ratio (Primary):(Secondary)	-	1 : 1 ± 3%
Polarity (Primary):(Secondary)	-	Per Schematic
Inductance, Ls(Primary) @100kHz, 0.1Vrms, 8mADC	uH	350 Min
Insertion Loss @0.1-100MHz	dB	1.0 Max
Return Loss @1-30MHz	dB	16.0 Min
Return Loss @30-60MHz	dB	13.5 Min
Return Loss @60-80MHz	dB	12.0 Min
CMRR @0.1-100MHz	dB	30.0 Min
Crosstalk @0.1-100MHz (TX<=>RX)	dB	30.0 Min
HIPOT (Primary):(Secondary)	Vrms	1500 Min

LED SPECIFICATION @20mA FORWARD CURRENT

Color	GREEN	YELLOW
Wavelength	570nm Typ	590nm Typ
Forward Voltage	2.2V Typ	2.1V Typ



E & E Magnetic Products Ltd.

DRAWING NO./MODEL

EJFR0051

REV

01

SCALE

DO NOT SCALE

PAGE

3

OF

5

6. OPERATING TEMPERATURE : 0°C TO +70°C.

7. Materials

7.1 Housing Material:

Material: Nylon PA66, UL94V-0.

Standard Color: Black.

7.2 Insert Material:

Material: Phos-Bronze C5191

Plating (1): Nickel.

Plating (2): Gold 6u"

Insert: PBT, UL94V-0.

Color: Black.

7.3 Metal Shell Material:

Material: BRASS C2680

Plating (1): Nickel.

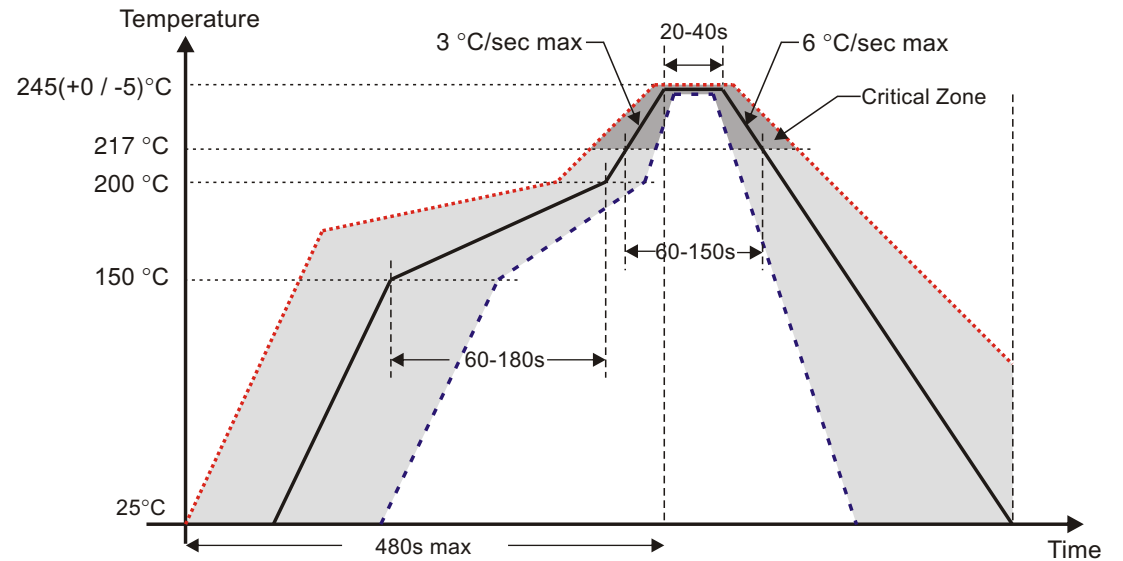
7.4 Contact Pin Material:

Material: Phos-Bronze C191

Plating (1): Nickel.

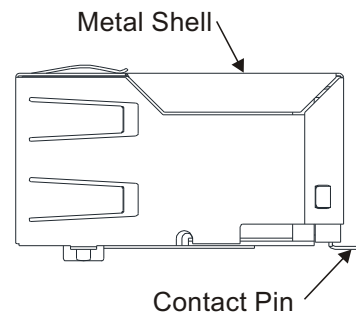
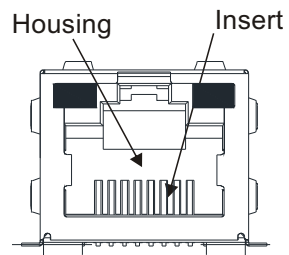
Plating (2): 100%Sn

8. Reflow profile



Reflow Profile

- Black line represents typical reflow profile
- - - Red line represents upper temperature limit
- - - Blue line represents lower temperature limit



E & E Magnetic Products Ltd.

DRAWING NO./MODEL

EJFR0051

REV

01

SCALE

DO NOT SCALE

PAGE

4

OF

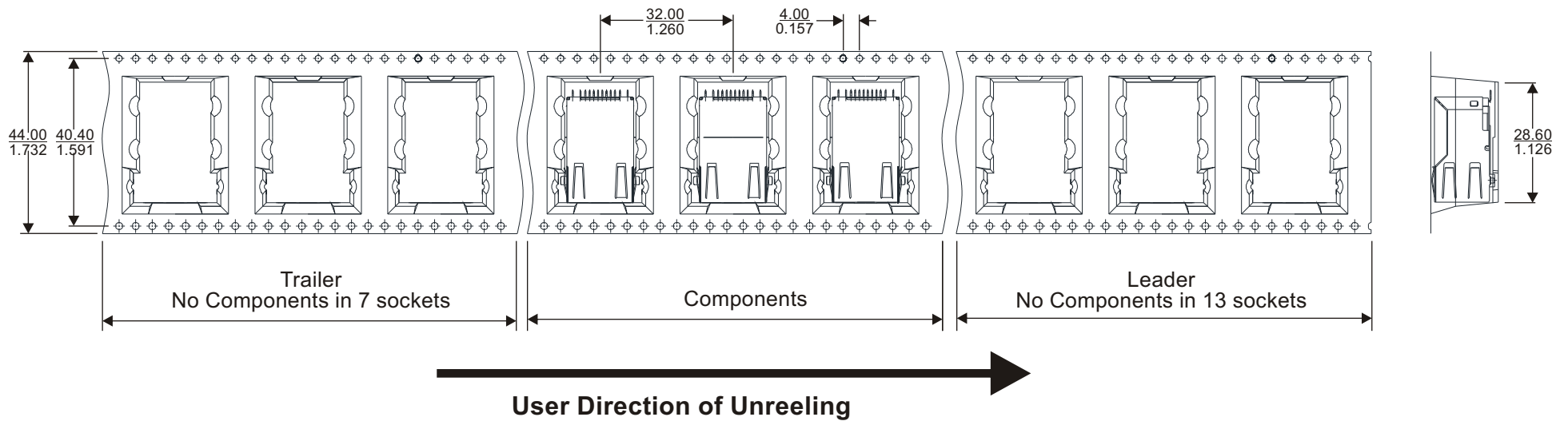
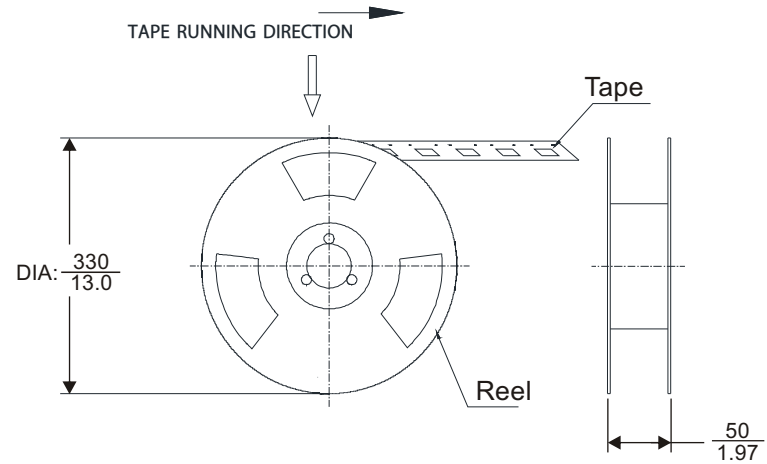
5

9. Packing Information

9.1 Packing quantity: 110 pcs/reel, total 550 pcs/Box.

9.2 Paking material: PET.

9.3 Tape and Reel Specification.



Note: DIMENSIONS ARE SPECIFIED IN $\frac{\text{mm}}{\text{INCHES}}$ WITH HIGHER PRECEDENCE IN mm.



E & E Magnetic Products Ltd.

DRAWING NO./MODEL

EJFR0051

REV

01

SCALE

DO NOT SCALE

PAGE

5

OF

5