

REVISIONS			
REV.	DESCRIPTION	ECN NO.	DATE
01	FIRST RELEASE	N/A	08/07/14

TITLE  
**MODULAR JACK, RJ45, MULTI-PORT,  
 1X4, THRU-HOLE, 1000BASE-T**


**WARNING !**  
 ALL SHEETS OF THIS DOCUMENT ARE CONTROLLED DOCUMENTATION AND ARE NOT TO BE RELEASED OUTSIDE OF E&E OR ITS SUB-CONTRACTORS WITHOUT AUTHORIZATION.

UNLESS OTHERWISE SPECIFIED, DIMENSIONS ARE IN INCH/mm.

TOLERANCE ARE:

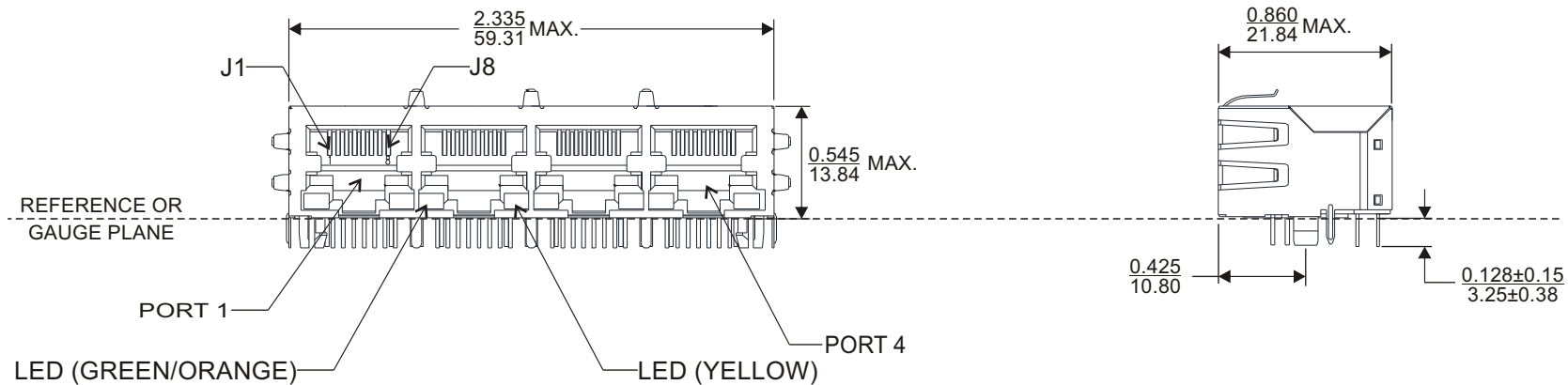
<u>INCH</u>	<u>mm</u>	<u>ANGLE</u>
.XXX ± .005	.XX ± .13	X.X ± 0.3
.XX ± .02	.X ± .5	X. ± 1

APPROVALS	DATE
DRAWN BY <b>S.T. HUANG</b>	08/07/14
PROJ. ENG <b>J.J. LI</b>	08/07/14
APPROVED BY <b>J.J. LI</b>	08/07/14
Q.A. <b>D. LUO</b>	08/07/14

 <b>E &amp; E Magnetic Products Ltd.</b>	
DRAWING NO./MODEL	
<b>EJFR0053</b>	
SCALE	PAGE OF
<b>DO NOT SCALE</b>	1 OF 4
REV	<b>01</b>



MARKING



NOTES:

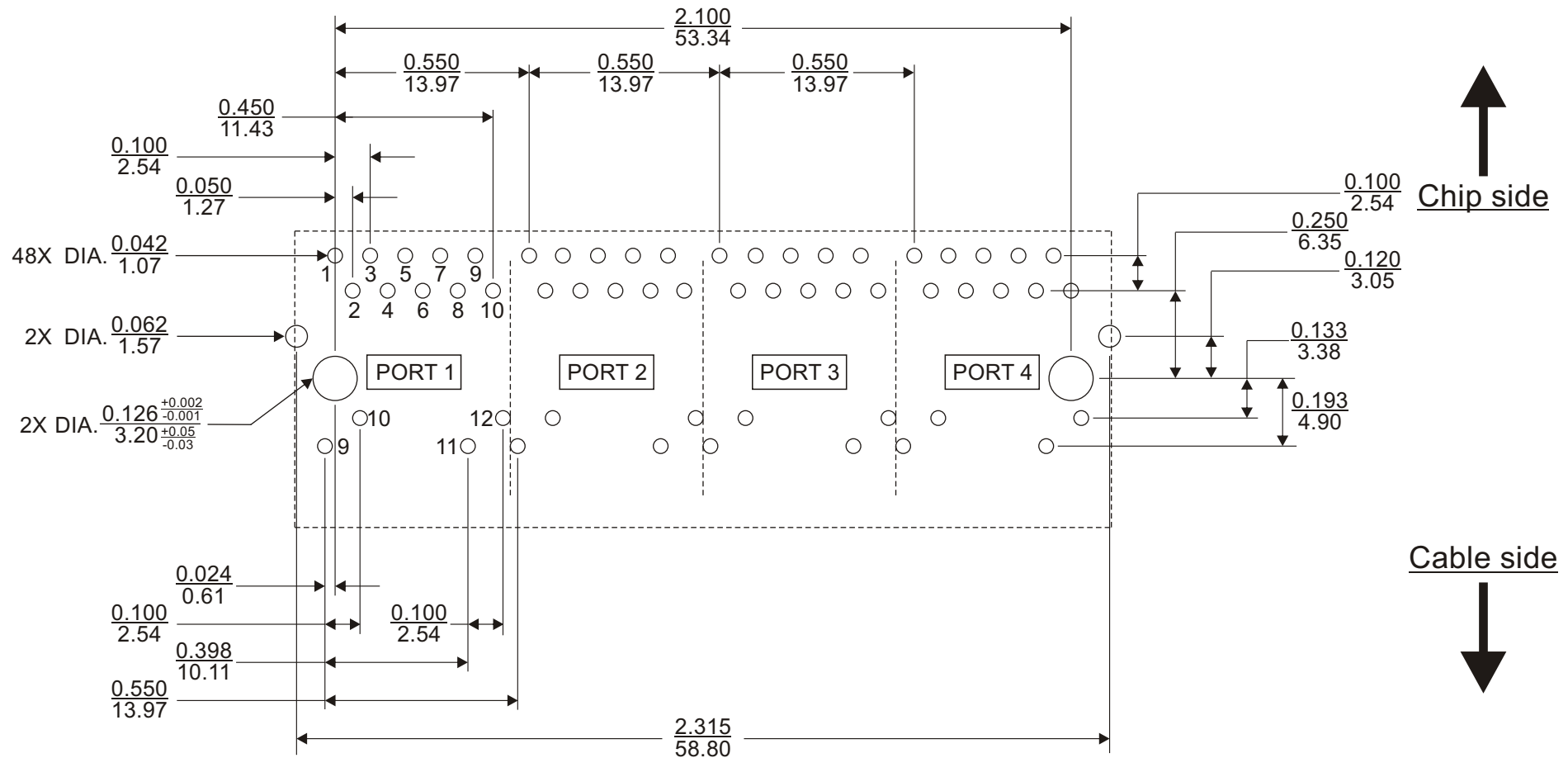
1. DIMENSIONS ARE SPECIFIED IN  $\frac{\text{INCHES}}{\text{mm}}$  WITH HIGHER PRECEDENCE IN INCHES.
2. UNLESS OTHERWISE SPECIFIED, ALL TOLERANCE ARE  $\pm \frac{.010}{0.25}$ .
3. "(DATE)" INCLUDES AT LEAST THE MANUFACTURING DATE CODE (IN YYWW FORMAT) PLUS TWO CHARACTER COUNTRY CODE.
4. 6 MICRO-INCH (0.15  $\mu\text{m}$ ) MIN. THICK GOLD PLATING OVER CONTACT AREA.
5. RoHS COMPLIANT PER EU DIRECTIVE 2011/65/EU .

MECHANICAL OUTLINE



E & E Magnetic Products Ltd.

DRAWING NO./MODEL		REV
EJFR0053		01
SCALE	PAGE	OF
DO NOT SCALE	2	4



**RECOMMENDED HOLE PATTERN  
(VIEWED FROM COMPONENT SIDE)**



E & E Magnetic Products Ltd.

DRAWING NO./MODEL

**EJFR0053**

REV

**01**

SCALE

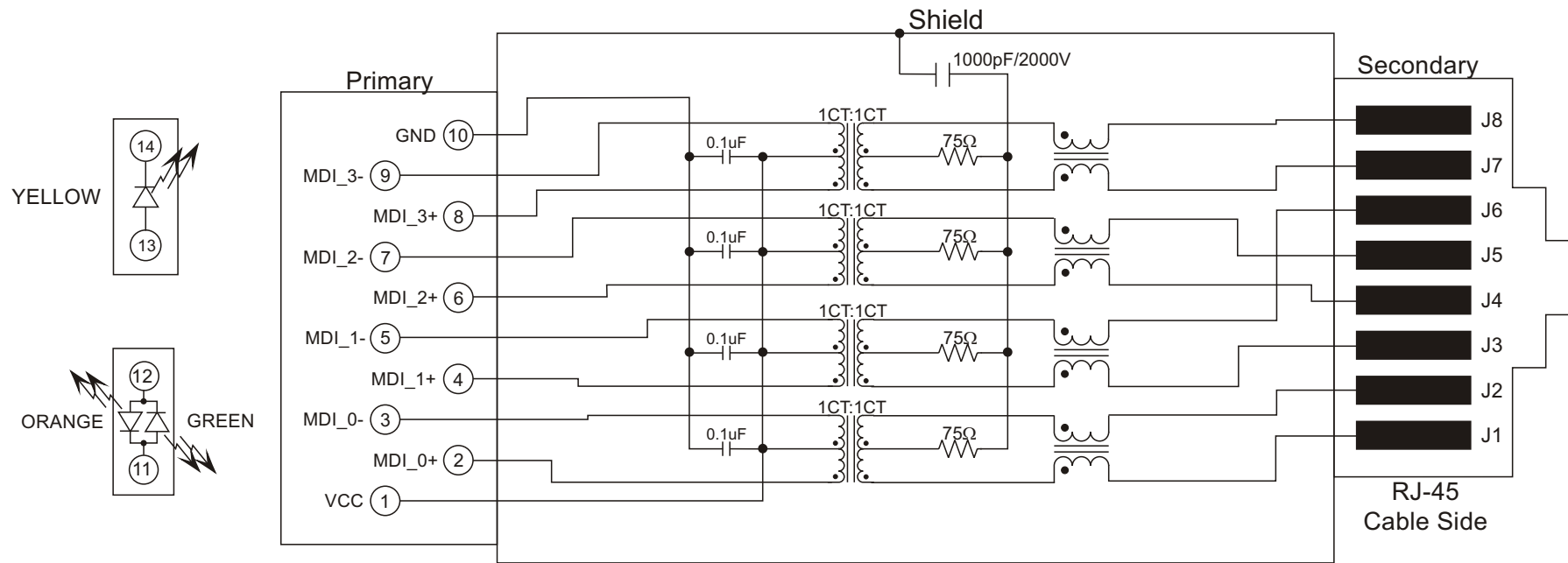
**DO NOT SCALE**

PAGE

**3**

OF

**4**



**SCHEMATIC(EACH PORT)**

**ELECTRICAL SPECIFICATION @25°C:**

PARAMETERS	UNIT	EACH CHANNEL
Turns Ratio (Primary):(Secondary)	-	1CT:1CT ± 3%
Polarity (Primary):(Secondary)	-	Per Schematic
Inductance, Ls@100kHz, 0.1Vrms, 8mADC	uH	350 Min
Insertion Loss @1-100MHz	dB	1.0 Max
Return Loss @10-30MHz	dB	16.0 Min
Return Loss @30-60MHz	dB	12.0 Min
Return Loss @60-80MHz	dB	10.0 Min
CMRR @0.1-100MHz	dB	30.0 Min
Crosstalk @0.1-100MHz, between channels (for refer. only)	dB	30.0 Min
HIPOT (Primary):(Secondary)	Vrms	1500 Min

6. OPERATING TEMPERATURE : 0°C TO +70°C.

**LED SPECIFICATION @20mA FORWARD CURRENT**

Color	GREEN	YELLOW	ORANGE
Wavelength	565nm Typ	590nm Typ	607nm Typ
Forward Voltage	2.2V Typ	2.1V Typ	2.05V Typ



**E & E Magnetic Products Ltd.**

DRAWING NO./MODEL

**EJFR0053**

REV

**01**

SCALE

**DO NOT SCALE**

PAGE

**4**

OF

**4**