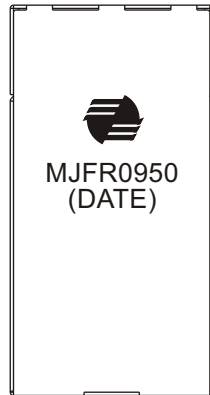


REVISIONS			
REV.	DESCRIPTION	ECN NO.	DATE
01	FIRST RELEASE	N/A	05/13/14

PAGE 4 IS FOR INTERNAL ONLY

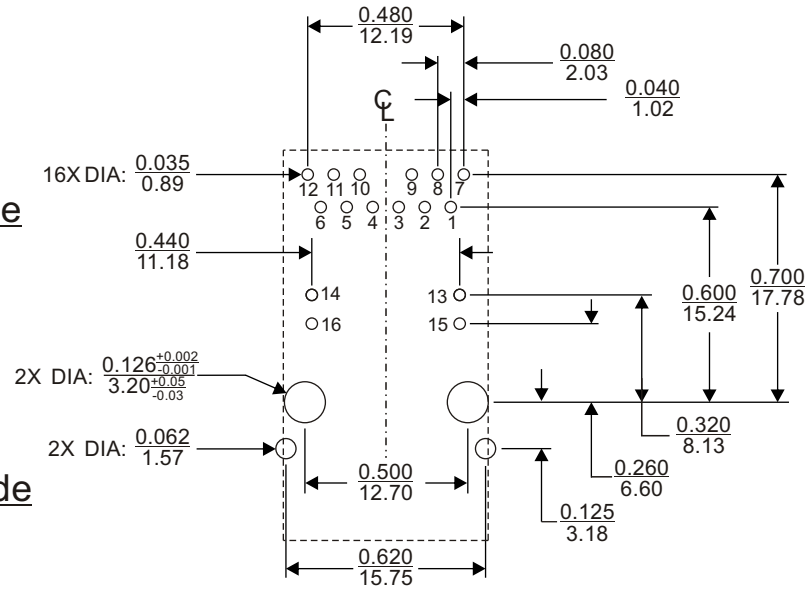
TITLE
**MODULAR JACK, RJ45, SINGLE,
 TH, 1000BASE-T(PoE)**

<p><u>WARNING !</u></p> <p>ALL SHEETS OF THIS DOCUMENT ARE CONTROLLED DOCUMENTATION AND ARE NOT TO BE RELEASED OUTSIDE OF E&E OR ITS SUB-CONTRACTORS WITHOUT AUTHORIZATION.</p>	<p>UNLESS OTHERWISE SPECIFIED, DIMENSIONS ARE IN INCH/mm.</p> <p style="text-align: center;"><u>TOLERANCE ARE:</u></p> <table style="width: 100%; border: none;"> <tr> <td style="text-align: center;"><u>INCH</u></td> <td style="text-align: center;"><u>mm</u></td> <td style="text-align: center;"><u>ANGLE</u></td> </tr> <tr> <td style="text-align: center;">.XXX ± .005</td> <td style="text-align: center;">.XX ± .13</td> <td style="text-align: center;">X.X ± 0.3</td> </tr> <tr> <td style="text-align: center;">.XX ± .02</td> <td style="text-align: center;">.X ± .5</td> <td style="text-align: center;">X. ± 1</td> </tr> </table>	<u>INCH</u>	<u>mm</u>	<u>ANGLE</u>	.XXX ± .005	.XX ± .13	X.X ± 0.3	.XX ± .02	.X ± .5	X. ± 1	<p>APPROVALS</p>	<p>DATE</p>	 <p>E & E Magnetic Products Ltd.</p>	
		<u>INCH</u>	<u>mm</u>	<u>ANGLE</u>										
		.XXX ± .005	.XX ± .13	X.X ± 0.3										
		.XX ± .02	.X ± .5	X. ± 1										
		DRAWN BY	S.T. HUANG	05/13/14	<p>DRAWING NO./MODEL</p> <p style="font-size: 24pt; font-weight: bold;">MJFR0950</p>		<p>REV</p> <p style="font-size: 24pt; font-weight: bold;">01</p>							
PROJ. ENG	J.J. LI	05/13/14												
APPROVED BY	J.J. LI	05/13/14	<p>SCALE</p> <p style="font-size: 18pt; font-weight: bold;">DO NOT SCALE</p>		<p>PAGE</p> <p style="font-size: 24pt; font-weight: bold;">1</p>									
Q.A.	D. LUO	05/13/14				<p>OF</p> <p style="font-size: 24pt; font-weight: bold;">4</p>								

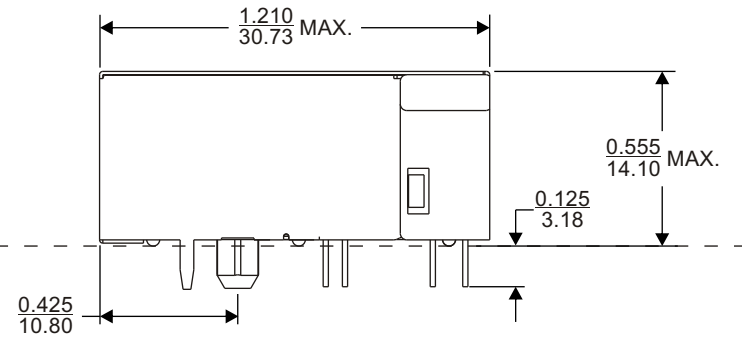
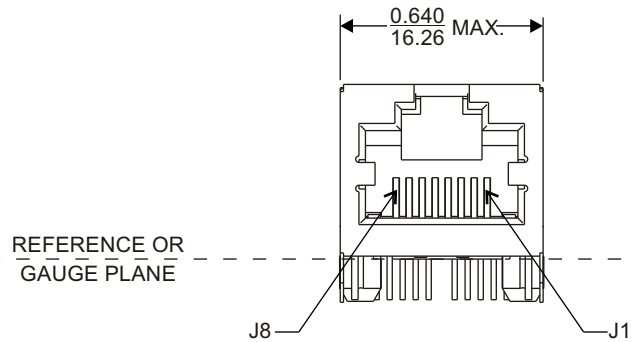


↑
Chip side


↓
Cable side

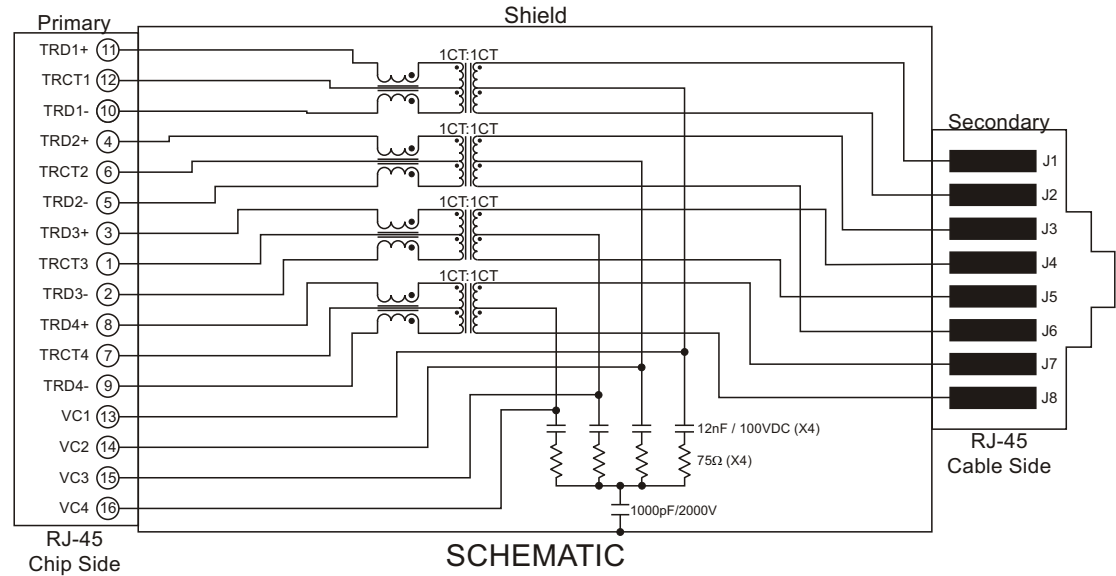


Recommended hole pattern
viewed from component side



1. DIMENSIONS ARE SPECIFIED IN $\frac{\text{INCHES}}{\text{mm}}$ WITH HIGHER PRECEDENCE IN INCHES.
2. UNLESS OTHERWISE SPECIFIED, ALL TOLERANCE ARE $\pm \frac{.010}{0.25}$.
3. "(DATE)" INCLUDES AT LEAST THE MANUFACTURING DATE CODE(IN YYWW FORMAT) PLUS TWO CHARACTER COUNTRY CODE.
4. 10 MICRO-INCH (0.25 μm) MIN. GOLD PLATING THICKNESS OVER CONTACT AREA.
5. RoHS COMPLIANT PER EU DIRECTIVE 2011/65/EU. (WITHOUT EXEMPTION OF SOLDER CONTENT)

 E & E Magnetic Products Ltd.	
DRAWING NO./MODEL	
MJFR0950	
REV	
01	
SCALE	PAGE OF
DO NOT SCALE	2 OF 4



ELECTRICAL SPECIFICATION @25°C:

PARAMETERS	UNIT	EACH CHANNEL
Turns Ratio (Primary):(Secondary)	-	1CT:1CT ± 3%
Polarity (Primary):(Secondary)	-	Per Schematic
Inductance, Ls(Primary) @100kHz, 0.1Vrms, 8mADC	uH	350 Min
Insertion Loss @0.1-100MHz	dB	1.1 Max
Insertion Loss @100-125MHz	dB	1.2 Max
Return Loss @0.5-40MHz	dB	18.0 Min
Return Loss @40-100MHz	dB	12-20Log(F/80) Min
CMRR @0.1-100MHz	dB	30.0 Min
Crosstalk@0.1-100MHz, between channels	dB	33-20Log(F/50) Min
HIPOT (Primary):(Secondary)	Vrms	1500 Min

6. OPERATING TEMPERATURE : 0°C TO +70°C.

7. "F" REPRESENTS THE TEST FREQUENCY SPECIFIED IN MHz.

8. BALANCED DC LINE CURRENT CAPABILITY (J1,J2-13) & (J3,J6-14) & (J4,J5-15) & (J7,J8-16) : 350mADC MAXIMUM.



E & E Magnetic Products Ltd.

DRAWING NO./MODEL

MJFR0950

REV

01

SCALE

DO NOT SCALE

PAGE

3

OF

4