
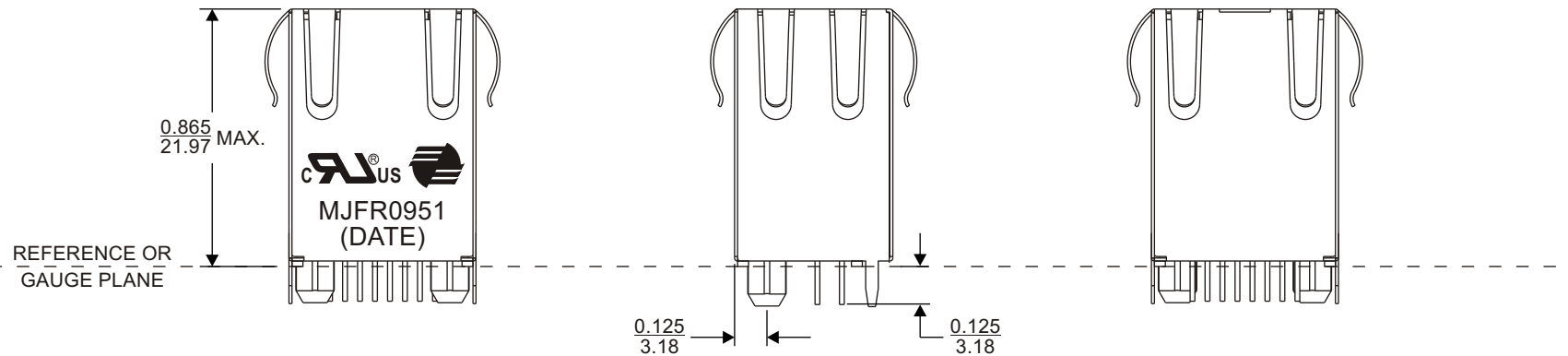
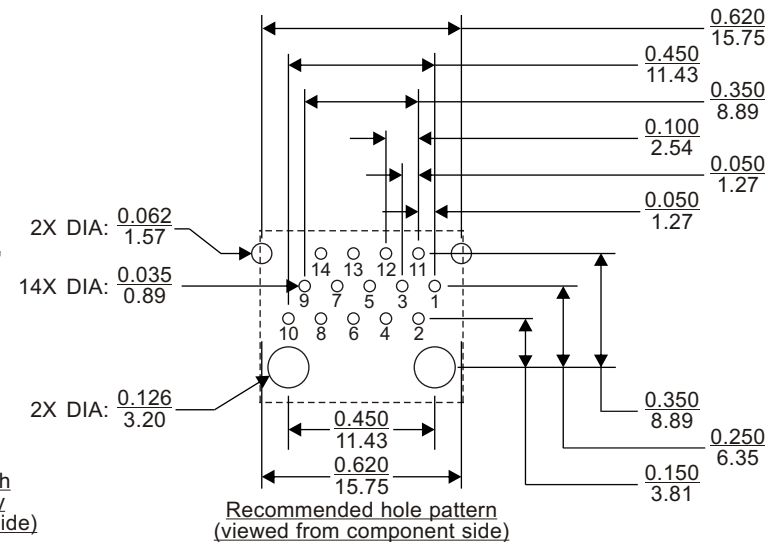
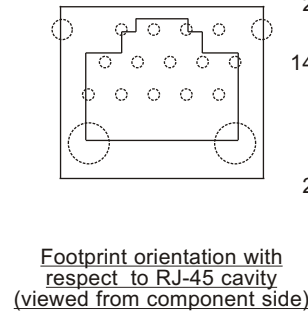
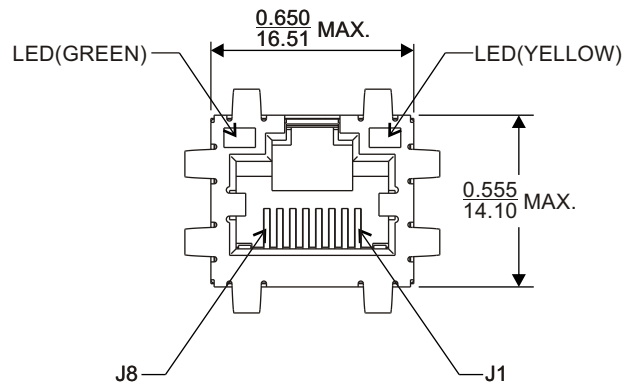


SAFETY CRITICAL PART		REVISIONS			
MATERIAL LIST IS REQ'D?	YES	REV.	DESCRIPTION	ECN NO.	DATE
AGENCY FILE / CERTIFICATE NUMBER		01	FIRST RELEASE	N/A	05/24/14
UL 1863	E230849				
CAN/CSA-C22.2 NO.182-4-M90.1990	E230849				

PAGE 4 IS FOR INTERNAL USE

TITLE
 MODULAR JACK, RJ45, SINGLE PORT,
 VERTICAL, THRU-HOLE, 1000BASE-T.

<p><u>WARNING !</u></p> <p>ALL SHEETS OF THIS DOCUMENT ARE CONTROLLED DOCUMENTATION AND ARE NOT TO BE RELEASED OUTSIDE OF E&E OR ITS SUB-CONTRACTORS WITHOUT AUTHORIZATION.</p>	<p>UNLESS OTHERWISE SPECIFIED, DIMENSIONS ARE IN INCH/mm.</p> <p style="text-align: center;"><u>TOLERANCE ARE:</u></p> <table style="width: 100%; border: none;"> <tr> <td style="text-align: center; border: none;"><u>INCH</u></td> <td style="text-align: center; border: none;"><u>mm</u></td> <td style="text-align: center; border: none;"><u>ANGLE</u></td> </tr> <tr> <td style="text-align: center; border: none;">.XXX ± .005</td> <td style="text-align: center; border: none;">.XX ± .13</td> <td style="text-align: center; border: none;">X.X ± 0.3</td> </tr> <tr> <td style="text-align: center; border: none;">.XX ± .02</td> <td style="text-align: center; border: none;">.X ± .5</td> <td style="text-align: center; border: none;">X. ± 1</td> </tr> </table>	<u>INCH</u>	<u>mm</u>	<u>ANGLE</u>	.XXX ± .005	.XX ± .13	X.X ± 0.3	.XX ± .02	.X ± .5	X. ± 1	<p>APPROVALS</p> <p>DATE</p>	 <p>E & E Magnetic Products Ltd.</p>	
		<u>INCH</u>	<u>mm</u>	<u>ANGLE</u>									
		.XXX ± .005	.XX ± .13	X.X ± 0.3									
		.XX ± .02	.X ± .5	X. ± 1									
		<p>DRAWN BY</p> <p>S.T. HUANG</p>	<p>05/24/14</p>	<p>DRAWING NO./MODEL</p> <p>MJFR0951</p>		<p>REV</p> <p>01</p>							
<p>PROJ. ENG</p> <p>J.J. LI</p>	<p>05/24/14</p>												
<p>APPROVED BY</p> <p>J.J. LI</p>	<p>05/24/14</p>	<p>SCALE</p> <p>DO NOT SCALE</p>		<p>PAGE</p> <p>1</p>									
<p>Q.A.</p> <p>D. LUO</p>	<p>05/24/14</p>				<p>OF</p> <p>4</p>								



1. DIMENSIONS ARE SPECIFIED IN $\frac{\text{INCHES}}{\text{mm}}$ WITH HIGHER PRECEDENCE IN INCHES.
2. UNLESS OTHERWISE SPECIFIED, ALL TOLERANCE ARE $\pm \frac{.010}{0.25}$.
3. "(DATE)" INCLUDES AT LEAST THE MANUFACTURING DATE CODE(IN YYWW FORMAT) PLUS TWO CHARACTER COUNTRY CODE.
4. RoHS COMPLIANT PER EU DIRECTIVE 2011/65/EU. (WITHOUT EXEMPTION OF SOLDER CONTENT)

MECHANICAL OUTLINE



E & E Magnetic Products Ltd.

DRAWING NO./MODEL

MJFR0951

REV

01

SCALE

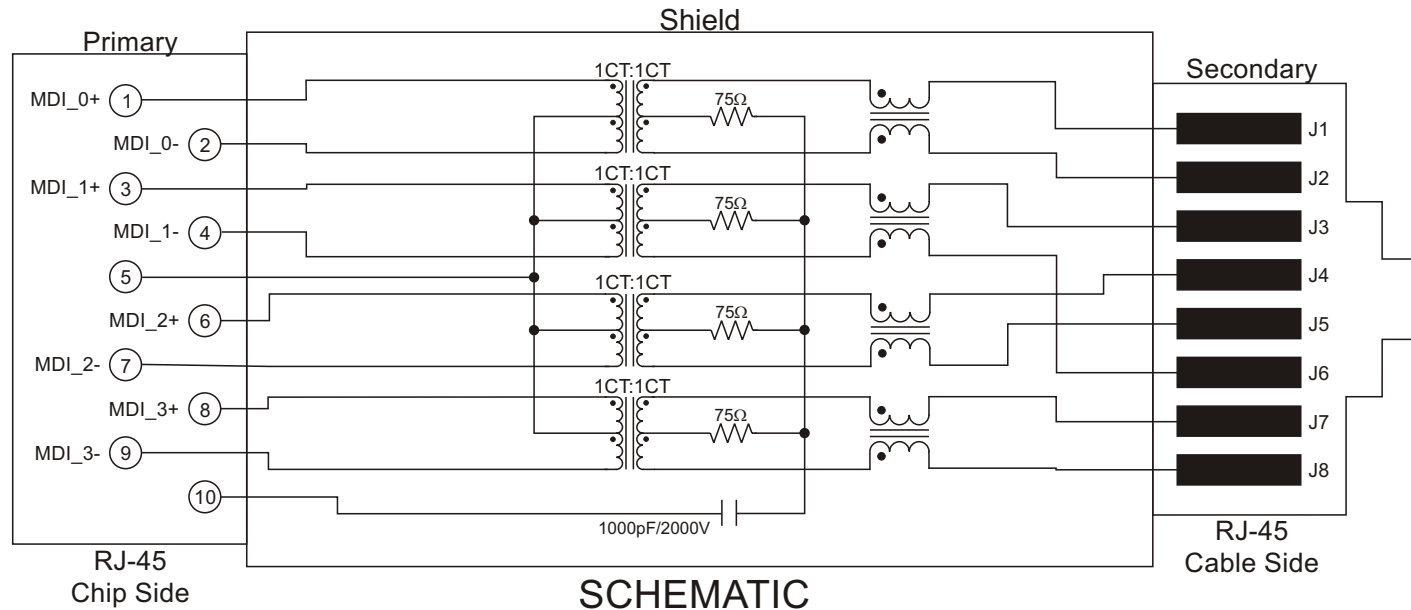
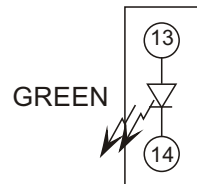
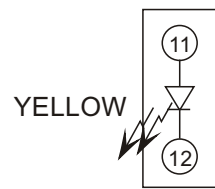
DO NOT SCALE

PAGE

2

OF

4



SCHMATIC

ELECTRICAL SPECIFICATION @25°C:

PARAMETERS	UNIT	EACH CHANNEL
Turns Ratio (Primary):(Secondary)	-	1CT:1CT ± 3%
Polarity (Primary):(Secondary)	-	Per Schematic
Inductance, Ls(Primary) @100kHz, 0.1Vrms, 8mA DC	uH	350 Min
Insertion Loss @0.1-100MHz	dB	1.0 Max
Insertion Loss @100-125MHz	dB	1.2 Max
Return Loss @0.5-40MHz	dB	18.0 Min
Return Loss @40-100MHz	dB	12-20Log(F/80) Min
CMRR @0.1-100MHz (for refer. only)	dB	32.0 Min
Crosstalk @0.1-100MHz, between channels (for refer. only)	dB	33-20Log(F/50) Min
HIPOT (Primary):(Secondary)	VDC	2250 Min

6. OPERATING TEMPERATURE : 0°C TO +85°C.

7. "F" REPRESENTS THE TEST FREQUENCY SPECIFIED IN MHZ.

LED SPECIFICATION @20mA FORWARD CURRENT

Color	GREEN	YELLOW
Wavelength	565nm Typ	590nm Typ
Forward Voltage	2.2V Typ	2.1V Typ



E & E Magnetic Products Ltd.

DRAWING NO./MODEL

MJFR0951

REV

01

SCALE

DO NOT SCALE

PAGE

3

OF

4